



9PC. Master Cylinder Adapter Set

(for use with ARES 18036, 3L Manual Brake Pressure Bleeder Set)

OPERATIONS MANUAL



1. FEATURES

2. SPECIFICATIONS

3. WARNINGS!

4. INSTRUCTIONS

5. APPLICATION

6. WARRANTY



NEED HELP?

(206) 453-6776

www.arestool.com

customerservice@arestool.com

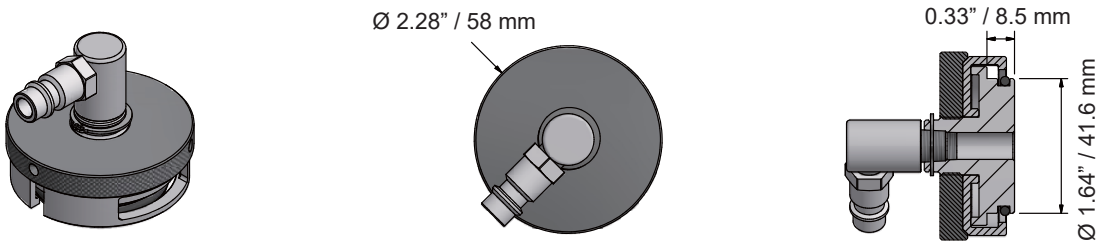
Don't forget to register your product!

1. FEATURES

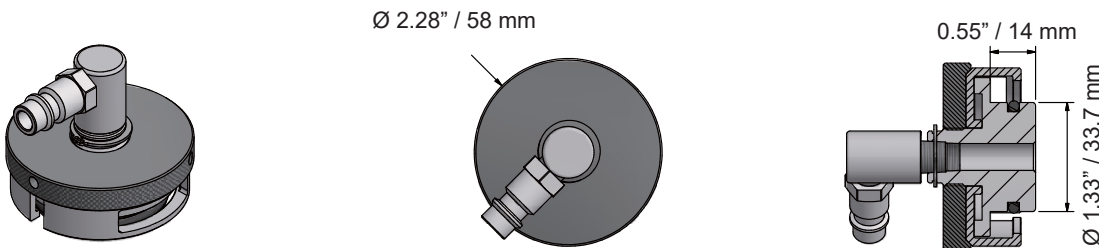
- Designed for applications on master cylinder reservoirs from 2001 to 2021.
- Covers most of the common car models on the market.
- Adapters with a standard European air plug type, suitable for pressure bleeding tools or machines.
- Most adapters have a swivel 90° fitting to tackle limited space problems.

2. SPECIFICATIONS

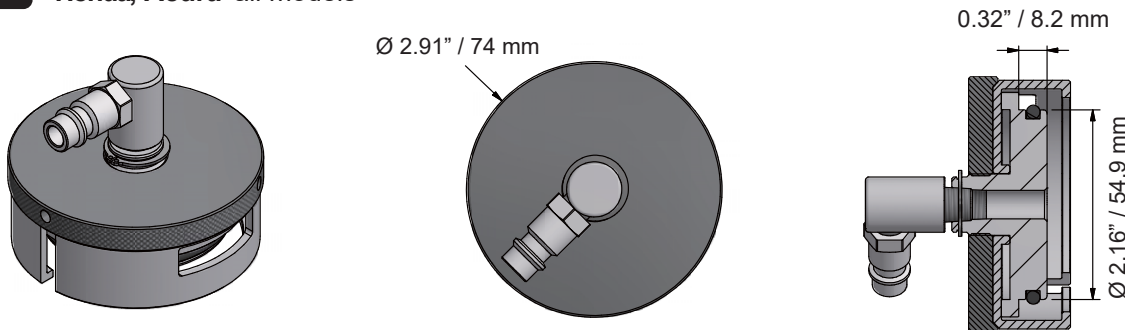
18039 Toyota, Lexus all models



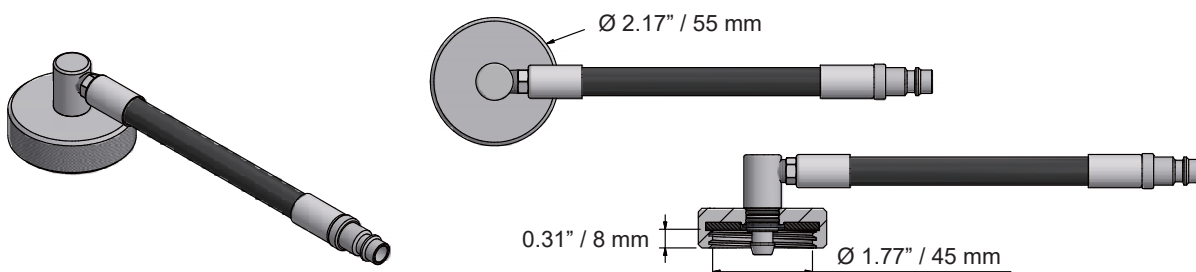
18040 Hyundai, Kia all models; most models for Ford, Mitsubishi, Nissan



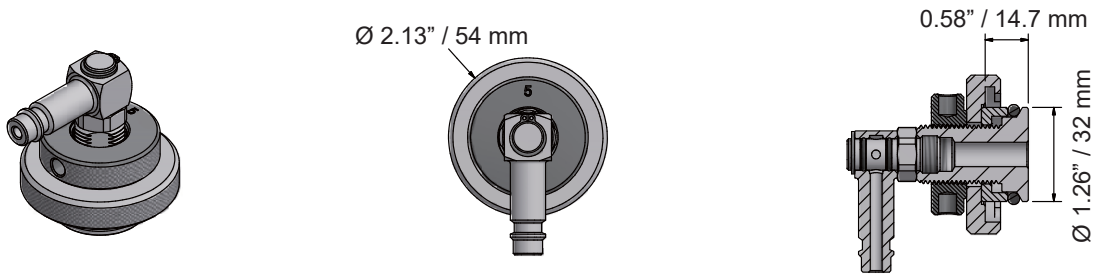
18041 Honda, Acura all models



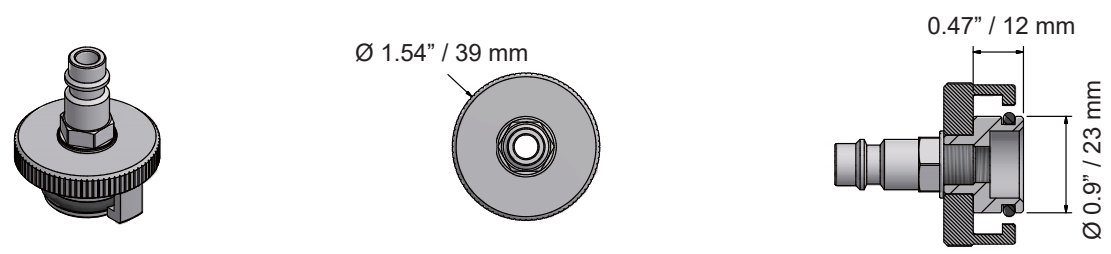
18042 European standard; some models for Buick, Chevrolet, Ford, Mazda and Nissan



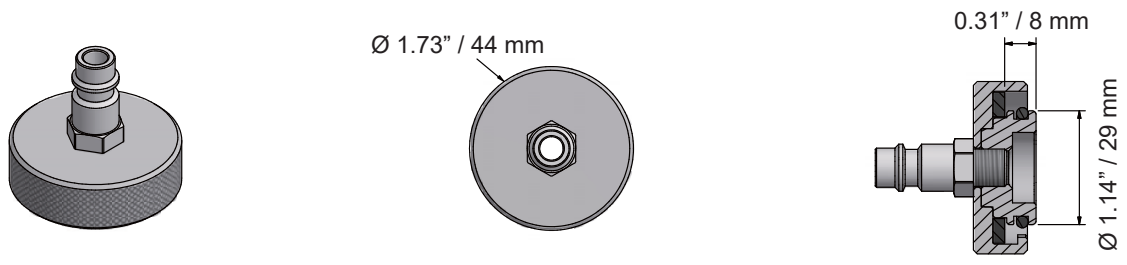
18043 Mazda, Suzuki most models



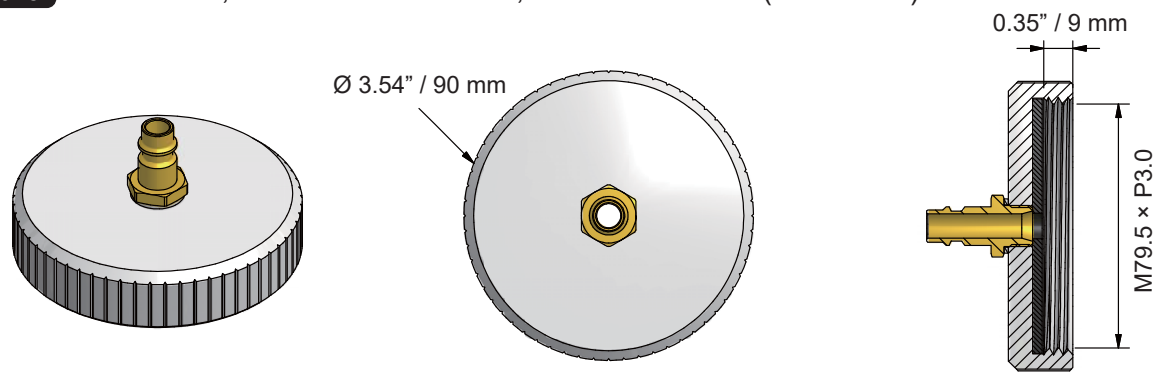
18044 Nissan Cube, Juke, Leaf, Micra, Maxima, Tiida, Versa



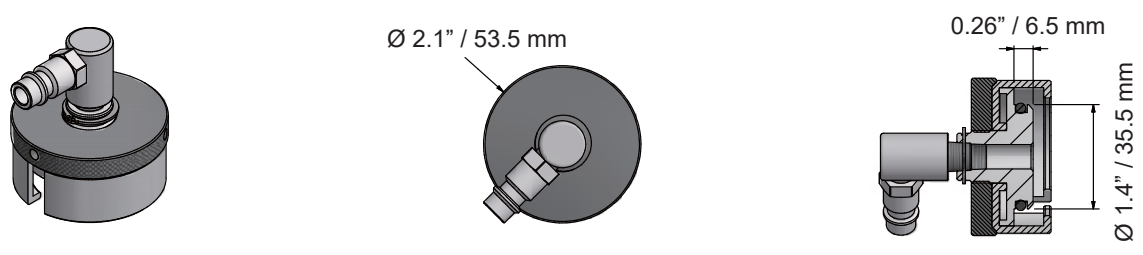
18045 Chrysler, Dodge, Jeep, Ram all models



18048 Mitsubishi, Subaru some models, Volvo S40 & V40 (2000-2004)



18058 Buick, Cadillac, Chevrolet, GMC most models



3. WARNINGS!



CAUTION



- Always read the instructions carefully before using the tool.
- Ensure the working area has adequate lighting.
- Keep children and unauthorized persons away from the working area.
- Clean all dirt from around the cover of the master cylinder before removing.
- DO NOT allow untrained persons to use this tool.
- Always wear eye protection that meets OSHA and ANSI Z87.1 standards.
- Always wear gloves when working with the tool.
- Always wear ear protection.
- Disposal: Customers should follow local regulations to handle used/waste parts.
- Brake fluid is hazardous. Read and follow fluid manufacturer's warnings.
- Brake fluid is corrosive and may damage automobile paint or other surfaces. If fluid spills, flush with water immediately.

4. INSTRUCTIONS

- 1 Remove the master cylinder reservoir cap.
- 2 Pull out the old brake fluid as much as possible.
- 3 Find a suitable adapter to connect on the reservoir.
- 4 Connect the pressure bleeding tool or machine to the adapter (Fig 1).
- 5 Follow the instructions as specified by the pressure bleeding tool or machine manufacturer.
- 6 It is recommended to perform a leak test to ensure if the adapter is tightly and securely connected on the reservoir.



Fig. 1

Installation for arm-type adapters (for 18039, 18040, 18041, and 18058)



Fig. 2

Remove the master cylinder reservoir cap.



Fig. 3

Expand the arms on the adapter.



Fig. 4

Press the adapter down into the master cylinder reservoir filler neck.



Fig. 5

Close the arms and rotate the top cover to fix the adapter.

* Remaining adapters 18042, 18048 are thread-type. 18043,18044,18045 are twist-lock type.

5. APPLICATION

The application below is for reference only. More vehicle applications are possible. Some car models may be applicable with more than one type of adapter due to variations in car body style (e.g. sedan, hatchback, or cabriolet), engine size and capacity (e.g. 1.6L, 1.8L, 2.4L), and the location where the car was manufactured.

MAKE	MODELS	YEAR	ARES MODEL	MAKE	MODELS	YEAR	ARES MODEL
Alfa Romeo	All models	All years	18042	Chevrolet	Uplander	2005-2008	18058
Audi	All models	All years	18042	Chevrolet	Volt	2011-2019	18058
BMW	All models	All years	18042	Chrysler	200	2011-2017	18045
Buick	Cascada	2016-2020	18042	Chrysler	300	2005-2020	18045
Buick	Century	1999-2005	18058	Chrysler	Aspen	2007-2009	18045
Buick	Enclave	2008-2020	18058	Chrysler	Concorde	1998-2004	18045
Buick	Encore	2013-2021	18058	Chrysler	Pacifica	2004-2008	18045
Buick	Envision	2016-2020	18058	Chrysler	Pacifica	2017-2020	18045
Buick	LaCrosse	2005-2009	18058	Chrysler	PT Cruiser	2001-2010	18045
Buick	LaCrosse	2010-2016	18042	Chrysler	Sebring	2007-2011	18045
Buick	LaCrosse	2017-2019	18058	Chrysler	Town & Country	1997-2016	18045
Buick	LeSabre	2000-2005	18058	Chrysler	Voyager	1997-2003	18045
Buick	Lucerne	2006-2011	18058	Chrysler	Voyager	2020-2020	18045
Buick	Park Avenue	2001-2005	18058	Citroen	All models	All years	18042
Buick	Rainier	2004-2007	18058	Dodge	Avenger	2007-2014	18045
Buick	Regal	2011-2017	18042	Dodge	Caliber	2007-2012	18045
Buick	Rendezvous	2002-2007	18058	Dodge	Caravan	1997-2007	18045
Buick	Verano	2012-2017	18042	Dodge	Challenger	2008-2020	18045
Cadillac	All models	All years	18058	Dodge	Charger	2006-2020	18045
Chevrolet	Avalanche	2007-2013	18058	Dodge	Dakota	2002-2011	18045
Chevrolet	Aveo	2004-2011	18058	Dodge	Dart	2012-2016	18045
Chevrolet	Blazer	2019-2021	18058	Dodge	Durango	1998-2020	18045
Chevrolet	Bolt EV	2017-2021	18058	Dodge	Express	2010-2011	18045
Chevrolet	Camaro	2010-2020	18058	Dodge	Grand Caravan	1997-2020	18045
Chevrolet	Caprice	2011-2017	18058	Dodge	Journey	2009-2020	18045
Chevrolet	Cobalt	2005-2010	18058	Dodge	Magnum	2005-2008	18045
Chevrolet	Colorado	2004-2020	18058	Dodge	Neon	2000-2005	18045
Chevrolet	Corvette	1998-2019	18058	Dodge	Nitro	2007-2011	18045
Chevrolet	Cruze	2011-2015	18042	Dodge	Ram 1500	1998-2010	18045
Chevrolet	Cruze	2016-2019	18058	Dodge	Ram 2500	1998-2007	18045
Chevrolet	Cruze Limited	2016-2016	18042	Dodge	Ram 3500	1998-2010	18045
Chevrolet	Equinox	2005-2020	18058	Dodge	Viper	2001-2017	18045
Chevrolet	Express 1500	2003-2014	18058	Fiat	All models	All years	18042
Chevrolet	Express 2500	2003-2020	18058	Ford	C-Max	2010-2020	18042
Chevrolet	Express 3500	2003-2020	18058	Ford	EcoSport	2013-2017	18042
Chevrolet	HHR	2006-2011	18058	Ford	Edge	2007-2015	18040
Chevrolet	Impala	2000-2020	18058	Ford	Edge	2016-2020	18042
Chevrolet	Malibu	2004-2012	18058	Ford	Escape	2001-2012	18040
Chevrolet	Malibu	2013-2016	18042	Ford	Escort	1995-2001	18042
Chevrolet	Malibu	2016-2021	18058	Ford	Escpae	2009-2011	18040
Chevrolet	Malibu Limited	2016-2016	18042	Ford	Expedition	2003-2006	18040
Chevrolet	Silverado 1500	2004-2020	18058	Ford	Explorer	1995-2019	18040
Chevrolet	Sonic	2012-2020	18058	Ford	F-150	1990-2018	18042
Chevrolet	Spark	2013-2021	18058	Ford	F-250	1990-2010	18040
Chevrolet	SSR	2003-2006	18058	Ford	F-350	1990-2010	18040
Chevrolet	Suburban	2015-2021	18058	Ford	F59	2011-2017	18040
Chevrolet	Tahoe	2004-2021	18058	Ford	Fiesta	1995-2006	18042
Chevrolet	Trailblazer	2002-2009	18058	Ford	Fiesta	2008-2020	18040
Chevrolet	Traverse	2009-2020	18058	Ford	Flex	2009-2019	18040
Chevrolet	Trax	2015-2021	18058	Ford	Focus	2004-2020	18042

MAKE	MODELS	YEAR	ARES MODEL	MAKE	MODELS	YEAR	ARES MODEL
Ford	Freestar	2004-2007	18040	Hyundai	Nexo	2019-2020	18040
Ford	Freestyle	2005-2007	18040	Hyundai	Palisade	2020-2020	18040
Ford	Fusion	2006-2020	18040	Hyundai	Santa Fe	2000-2020	18040
Ford	Galaxy	1995-2015	18042	Hyundai	Scoupe	1990-1994	18040
Ford	KA	1996-2020	18042	Hyundai	Sonata	1993-2020	18040
Ford	Kuga	2008-2020	18042	Hyundai	Sonata Hybrid	2011-2019	18040
Ford	Mondeo	2000-2015	18042	Hyundai	Tiburon	1996-2008	18040
Ford	Mustang	2000-2020	18040	Hyundai	Tucson	2004-2020	18040
Ford	Puma	1997-2001	18042	Hyundai	Veloster	2011-2020	18040
Ford	Ranger	1990-2011	18040	Hyundai	Veracruz	2006-2012	18040
Ford	Ranger	2011-2020	18042	Jaguar	All models	All years	18042
Ford	S-Max	2006-2020	18042	Jeep	Cherokee	1997-1999	18045
Ford	Taurus	2000-2019	18040	Jeep	Commander	2006-2010	18045
Ford	Thunderbird	2002-2005	18040	Jeep	Compass	2007-2020	18045
Ford	Transit	2000-2014	18042	Jeep	Grand Cherokee	1999-2018	18045
Ford	Transit-150	2015-2019	18042	Jeep	Liberty	2002-2012	18045
Ford	Transit-250	2015-2019	18042	Jeep	Patriot	2007-2017	18045
Ford	Transit-350	2015-2019	18042	Jeep	Wrangler	1997-2020	18045
GMC	All models	All years	18058	Kia	Borrego	2008-2012	18040
Honda	Accord	1998-2020	18041	Kia	Cadenza	2013-2018	18040
Honda	City	2003-2013	18041	Kia	Forte	2014-2020	18040
Honda	Civic	2001-2020	18041	Kia	Forte Koup	2014-2016	18040
Honda	Clarity	2017-2020	18041	Kia	Optima	2011-2020	18040
Honda	Crosstour	2010-2015	18041	Kia	Optima Hybrid	2016-2018	18040
Honda	CR-V	1997-2016	18041	Kia	Rio	2012-2017	18040
Honda	CR-Z	2011-2016	18041	Kia	Sedona	2001-2020	18040
Honda	Element	2003-2011	18041	Kia	Sorento	2006-2020	18040
Honda	Fit	2007-2020	18041	Kia	Soul	2009-2018	18040
Honda	HR-V	2016-2020	18041	Kia	Sportage	2010-2020	18040
Honda	Insight	2000-2006	18041	Land Rover	All models	All years	18042
Honda	Insight	2010-2014	18041	Mazda	3	2004-2013	18042
Honda	Insight	2019-2020	18041	Mazda	3	2013-2020	18043
Honda	Odyssey	1999-2020	18041	Mazda	5	2006-2015	18042
Honda	Passport	2019-2019	18041	Mazda	6	2002-2019	18043
Honda	Pilot	2003-2019	18041	Mazda	323	1989-2004	18042
Honda	Prelude	1997-2001	18041	Mazda	B2300	2001-2009	18043
Honda	Ridgeline	2006-2014	18041	Mazda	B2500	2001-2001	18043
Honda	Ridgeline	2017-2019	18041	Mazda	B3000	2001-2007	18043
Honda	S2000	2000-2009	18041	Mazda	B4000	2001-2009	18043
Hyundai	Accent	1994-2020	18040	Mazda	CX-3	2016-2019	18043
Hyundai	Azera	2005-2016	18040	Mazda	CX-5	2015-2019	18043
Hyundai	Elantra	1991-2020	18040	Mazda	CX-7	2007-2012	18042
Hyundai	Elantra GT	2013-2020	18040	Mazda	CX-9	2007-2019	18043
Hyundai	Entourage	2006-2008	18040	Mazda	Millenia	1995-2002	18042
Hyundai	Equus	2010-2015	18040	Mazda	MPV	2000-2006	18043
Hyundai	Excel	1990-1994	18040	Mazda	MX-5 Miata	2006-2015	18042
Hyundai	Genesis	2008-2016	18040	Mazda	MX-5 Miata	2016-2019	18043
Hyundai	Genesis Coupe	2008-2016	18040	Mazda	RX-7	1991-2002	18042
Hyundai	Genesis G70	2019-2020	18040	Mazda	RX-8	2004-2011	18043
Hyundai	Genesis G80	2017-2020	18040	Mercedes	All models	All years	18042
Hyundai	Genesis G90	2017-2020	18040	Mini	All models	All years	18042
Hyundai	Getz	2002-2005	18040	Mitsubishi	Diamante	1992-1996	18048
Hyundai	i30	2012-2013	18040	Mitsubishi	Eclipse	2000-2012	18048
Hyundai	Ioniq Electric	2017-2020	18040	Mitsubishi	Eclipse Cross	2018-2019	18040
Hyundai	Kona	2018-2020	18040	Mitsubishi	Endeavor	2004-2011	18048
Hyundai	Kona Electric	2019-2020	18040	Mitsubishi	Galant	1999-2012	18048

MAKE	MODELS	YEAR	ARES MODEL	MAKE	MODELS	YEAR	ARES MODEL
Mitsubishi	i-MiEV	2012-2017	18040	RAM	4500	2011-2018	18045
Mitsubishi	Lancer	2002-2007	18048	RAM	5500	2011-2018	18045
Mitsubishi	Lancer	2008-2017	18040	RAM	Base	2012-2013	18045
Mitsubishi	Mirage	2014-2020	18040	RAM	C/V	2014-2014	18045
Mitsubishi	Mirage G4	2017-2020	18040	RAM	Dakota	2011-2011	18045
Mitsubishi	Montero	1992-2004	18048	Renault	Most models	All years	18042
Mitsubishi	Montero Sport	2004-2004	18048	Renault	Kadjar	2015-2021	18040
Mitsubishi	Outlander	2007-2020	18040	Renault	Koleos	2016-2021	18040
Mitsubishi	Outlander Sport	2011-2019	18040	Subaru	Ascent	2019-2020	18040
Mitsubishi	Raider	2006-2009	18045	Subaru	BRZ	2013-2020	18040
Nissan	350Z	2003-2009	18040	Subaru	Crosstrek	2013-2019	18040
Nissan	370Z	2009-2020	18040	Subaru	Forester	1998-2020	18040
Nissan	Almera	2000-2006	18040	Subaru	Impreza	1993-1997	18048
Nissan	Altima	1998-2001	18040	Subaru	Impreza	1998-2019	18040
Nissan	Altima	2002-2006	18044	Subaru	Legacy	1991-1998	18048
Nissan	Altima	2007-2020	18040	Subaru	Legacy	1999-2020	18040
Nissan	Armada	2005-2015	18040	Subaru	Outback	2005-2020	18040
Nissan	Armada	2017-2019	18040	Subaru	STI	2003-2019	18040
Nissan	Cube	2008-2014	18044	Subaru	SVX	1992-1997	18048
Nissan	Frontier	1998-2019	18040	Subaru	Tribeca	2006-2014	18040
Nissan	GT-R	2009-2019	18040	Subaru	WRX	2002-2019	18040
Nissan	Juke	2011-2017	18044	Suzuki	Celerio	2014-2020	18043
Nissan	Kicks	2018-2021	18044	Suzuki	Ignis	2016-2020	18043
Nissan	Leaf	2013-2021	18044	Suzuki	Swift	2005-2020	18043
Nissan	Maxima	1995-2003	18040	Suzuki	SX4	2007-2013	18043
Nissan	Maxima	2004-2008	18044	Toyota	4Runner	1990-2020	18039
Nissan	Maxima	2009-2019	18040	Toyota	Avalon	1995-2020	18039
Nissan	Micra	2010-2013	18044	Toyota	Avensis	1997-2019	18039
Nissan	Murano	2003-2014	18040	Toyota	Aygo	2004-2018	18042
Nissan	Navara	2006-2019	18040	Toyota	Camry	1992-2020	18039
Nissan	Note	2012-2019	18044	Toyota	Celica	1994-2005	18039
Nissan	NV1500	2012-2019	18040	Toyota	Corolla	1993-2020	18039
Nissan	NV200	2013-2020	18044	Toyota	FJ Cruiser	2007-2014	18039
Nissan	NV2500	2012-2019	18040	Toyota	Highlander	2001-2019	18039
Nissan	NV3500	2012-2019	18040	Toyota	Hilux	2005-2014	18039
Nissan	Pathfinder	1996-2019	18040	Toyota	Land Cruiser	1998-2011	18039
Nissan	Primera	2001-2008	18040	Toyota	Land Cruiser	2013-2020	18039
Nissan	Qashqai	2008-2019	18042	Toyota	Matrix	2003-2013	18039
Nissan	Quest	2004-2017	18040	Toyota	Mirai	2016-2019	18039
Nissan	Rogue	2010-2019	18040	Toyota	MR2	2000-2005	18039
Nissan	Rogue Select	2014-2015	18040	Toyota	Prius	2001-2020	18039
Nissan	Rogue Sport	2017-2019	18040	Toyota	Prius C	2012-2019	18039
Nissan	Sentra	2000-2019	18040	Toyota	Prius Prime	2017-2020	18039
Nissan	Tiida	2006-2020	18044	Toyota	Prius V	2012-2017	18039
Nissan	Titan	2004-2019	18040	Toyota	RAV4	1996-2020	18039
Nissan	Titan XD	2016-2019	18040	Toyota	Sequoia	2001-2019	18039
Nissan	Versa	2007-2021	18044	Toyota	Sienna	1998-2019	18039
Nissan	Versa Note	2014-2019	18044	Toyota	Solara	1999-2008	18039
Nissan	Xterra	2005-2015	18040	Toyota	Tacoma	1995-2020	18039
Nissan	X-Trail	2001-2013	18040	Toyota	Tundra	2000-2020	18039
Nissan	X-Trail	2014-2017	18042	Toyota	Venza	2009-2015	18039
Opel	All models	All years	18042	Toyota	Yaris	2009-2018	18039
Peugeot	All models	All years	18042	Volkswagen	All models	All years	18042
RAM	1500	2011-2019	18045	Volvo	Most models	All years	18042
RAM	2500	2014-2020	18045	Volvo	S40	2000-2004	18048
RAM	3500	2011-2020	18045	Volvo	V40	2000-2004	18048

9PC. Master Cylinder Adapter Set

(for use with ARES 18036, 3L Manual Brake Pressure Bleeder Set)

WARRANTY

You are backed by the ARES Tool Performance Assurance!

ARES TOOL warrants this product (excluding carrying cases and storage accessories and the product categories set forth below) to the original purchaser for its useful life (not to exceed one year for products with electrical or electronic components) against defects and deficiencies in material and workmanship.

This **LIMITED LIFETIME WARRANTY** does not cover products which in ARES Tool's judgement have been subject to negligence, misuse, abuse, accident, improper storage, alteration, improper repair, disassembly and/or reassembly. Normal wear and tear are also excluded. Deficient products will be replaced or repaired.

Please call or email at (206) 453-6776 / ares@arestool.com for more details or to receive support.

This warranty excludes blades, bits, bit sockets, carrying cases, pouches, torque products, punches, dies, bulbs, fuses, batteries, and other consumables which must be replaced under normal use and service. These warranties set forth herein are the sole warranties applicable to Products and is in lieu of all other warranties, whether expressed, implied or statutory.

The implied warranties of merchantability and fitness for a particular purpose are specifically excluded. Customer's sole and exclusive remedy for breach of this Warranty is, at the option of **ARES TOOL**, repair or replacement of the defective product.

Please visit us at WWW.ARESTOOL.COM to register your product and sign up for our ARES Tool Club

B6 MADE IN TAIWAN
HECHO EN TAIWAN
FABRIQUÉ À TAIWAN



WARNING:
Cancer and Reproductive Harm-
www.p65Warnings.ca.gov



ALWAYS WEAR EYE
PROTECTION THAT COMPLIES
WITH ANSI STANDARD

PERFORMANCE ASSURANCE
LIMITED Lifetime Warranty

PLEASE RECYCLE



POUR FAVOR RECICLER
VEUILLEZ RECYCLER