



3 PC INTERNAL COIL SPRING COMPRESSOR KIT FOR SPRING DIAMETER 2.95 - 6.10" (Ø75-155MM)

OPERATIONS MANUAL



1. FEATURES

2. SPECIFICATIONS

3. WARNINGS!

4. INSTRUCTIONS

5. APPLICATIONS



NEED HELP?

(206) 453-6776

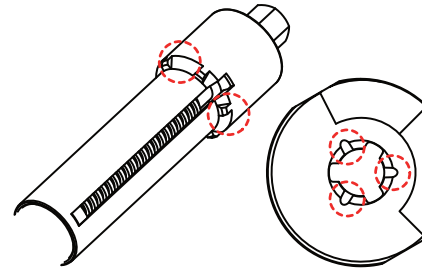
www.arestool.com

customerservice@arestool.com

Don't forget to register your product!

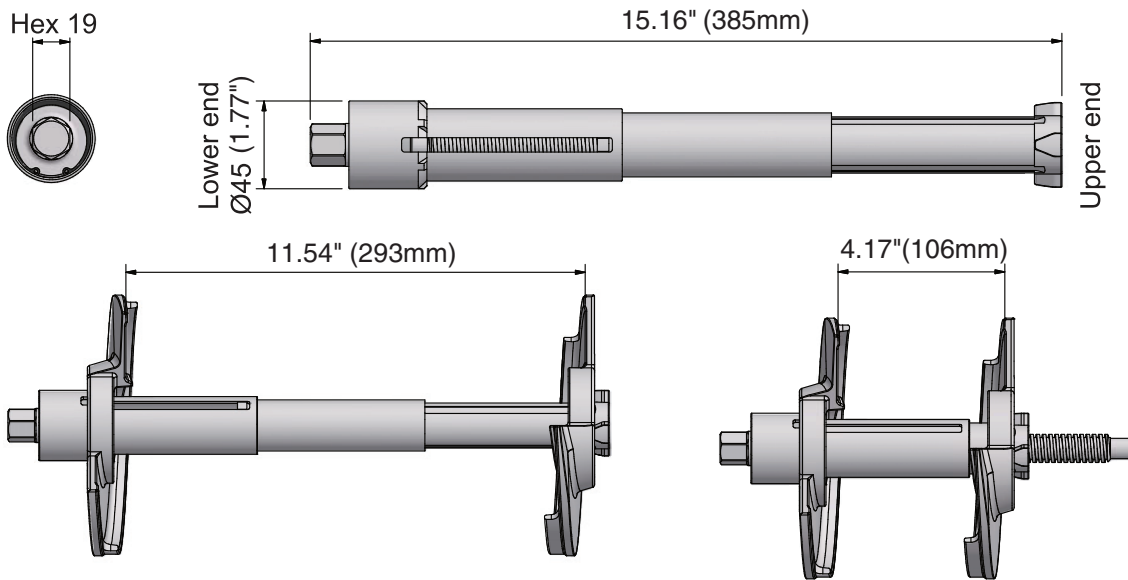
1. FEATURES

- Suitable for coil springs with internal diameter > 2.95" (Ø 75 mm) and external diameter < 6.10" (Ø 155 mm)
- Special pins on tool body to mesh with grooves on discs to create a secure connection (see illustration on the right)
- Can be operated with an impact wrench
- Max load: **6,525 kgf** (ca. 64,000 N) **WARNING:** Never exceed Max Load

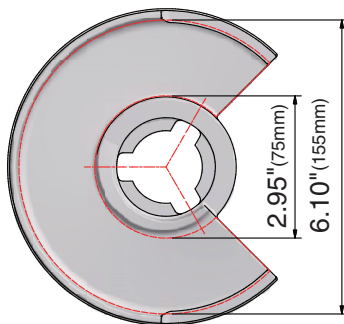


2. SPECIFICATIONS

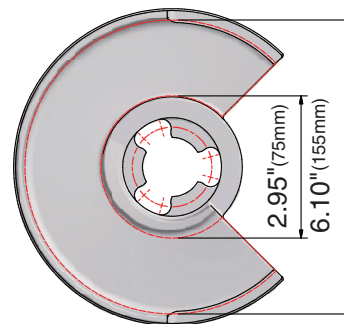
All figures listed below, unless otherwise stated, are in millimeter (mm)



Description	Tool main body
Stroke	106 - 293 mm (4.17 - 11.54")



Description	Upper disc
--------------------	------------



Description	Lower disc
--------------------	------------

3. WARNINGS!



CAUTION



- DO NOT ever exceed the maximum rated capacity of 14,385 Lbsf. Failure to heed this warning can result in injury or death.
- Spring is under compression load when installed. Attempting to remove the spring without properly restraining the load with a spring compressor may result in personal injury.
- Always read the instructions carefully before using the tool
- Always clean immediately if any fluid spills
- Keep children and unauthorized persons away from the working area
- Keep working area clean and tidy, dry and free from unrelated materials
- DO NOT allow untrained persons to use this tool kit
- Always wear eye protection that meets OSHA and ANSI Z87.1 standards
- Always wear gloves when working with the tool
- Always wear ear protection
- Disposal: Customers should follow local regulations to handle used/wasted parts

4. INSTRUCTIONS

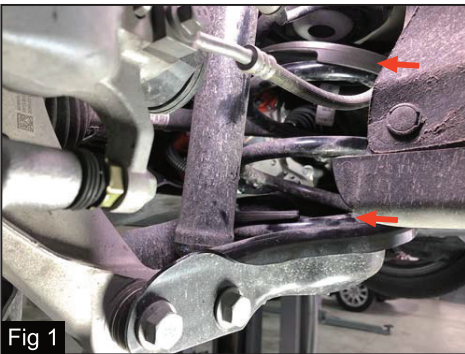


Fig 1

Place upper and lower compression discs onto spring.

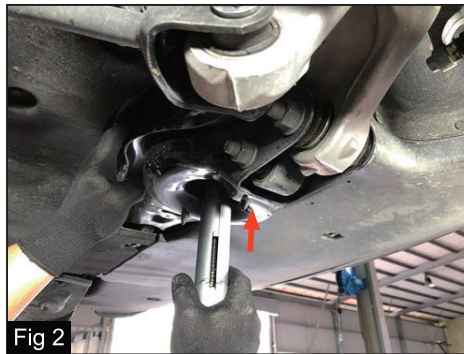


Fig 2

Insert the main tool body into the spring.

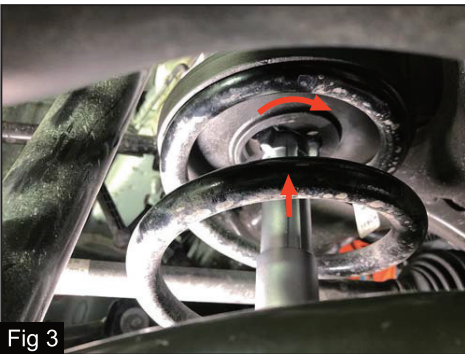


Fig 3

Insert through the disc and make a half turn to connect the tool and disc (Fig 3). Turn the hex nut on the main tool body lower end to fix all parts (Fig 4).

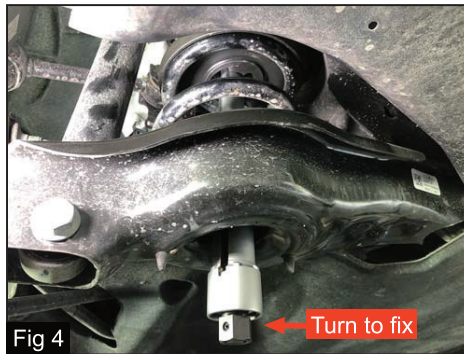


Fig 4

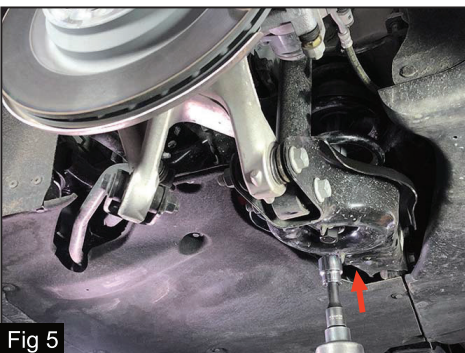


Fig 5

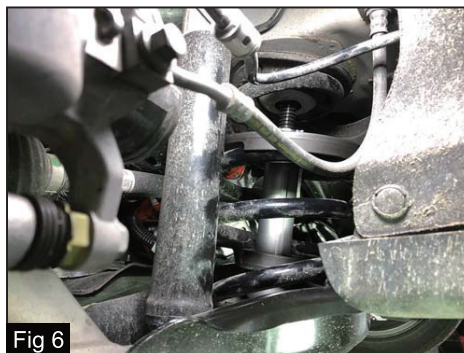


Fig 6

Use impact wrench, ratchet or breaker bar to compress the spring. (Fig. 5 and 6)
Once spring is compressed, proceed to remove the shock.

5. APPLICATIONS

The application list is for reference only. More vehicle applications are possible. Same vehicle models, due to variations in engine size, vehicle type (hatchback, sedan, or convertible...etc), engine fuel type (gasoline or diesel) and so on, may apply to different spring sizes.

Make	Model	Year	Type
Alfa Romeo	Giulietta	2010-2020	1.4 TB; 1.6 JTDM, 2.0 JTDM
Alfa Romeo	Mito	2008-2020	0.9 TwinAir, 1.4 TB; 1.3 MultiJet
Audi	A4	2001-2004	1.6L, 1.8L, 2.0L; 1.9 TDI
Audi	A4	2007-2015	1.8L, 2.0L; 2.0 TDI, 2.7 TDI, 3.0 TDI
Audi	A6	2004-2011	2.4L, 2.8L; 2.0 TDI, 2.7 TDI
BMW	3 Series E46	1997-2007	320i, 325i, 328i, 330i; 320d
BMW	X3 E83	2003-2011	xDrive20i, 25i, 30i; xDrive18d, 20d, 30d
BMW	X5 E70	2006-2013	xDrive 30i, 35i; xDrive 30d, 35d, 40d
BMW	X6 E71	2007-2014	xDrive 35i, 50i; xDrive 30d, 40d
BMW	Z3 E36	1997-2003	xDrive28i, 30i; xDrive28d, 30d
BMW	Z4 E86	2006-2008	3.0 Si
BMW	Z4 Roadster E85	2002-2009	2.2i, 2.5i, 3.0i
BMW	Z4 Roadster E89	2009-2020	sDrive 20i, 23i, 28i, 30i, 35i
Chevrolet	Cruze	2009-2020	1.4L, 1.6L, 1.8L; 1.7 TD, 2.0 CDi
Chevrolet	Volt	2011-2020	EV150
Citroen	Berlingo	2008-2020	1.6L; 1.6 HDI
Citroen	C8	2002-2019	2.0L, 2.2L; 2.0 HDI, 2.2 HDI
Citroen	Dispatch	1996-2006	2.0i 16V; 1.9 D, 2.0 HDI
Fiat	Brava	1995-2002	1.2L, 1.4L, 1.6L; 1.9 D
Fiat	Bravo	1995-2001	1.2L, 1.4L, 1.6L; 1.9 D
Fiat	Croma	2005-2011	1.8L, 2.2L; 1.9 D Multijet, 2.4 D Multijet
Fiat	Doblo	2010-2020	1.3 D Multijet, 1.6 D Multijet, 2.0 D Multijet
Fiat	Grande Punto	2005-2020	1.2L, 1.4L; 1.3 D Multijet, 1.9 D Multijet
Fiat	Marea	1996-2007	1.2L, 1.4L, 1.6L, 1.8L; 1.9 JTD, 2.4 JTD
Fiat	Punto	2012-2020	1.3 D Multijet
Fiat	Punto Evo	2008-2020	1.3 D Multijet
Fiat	Scudo	1996-2006	1.6L, 2.0L; 1.9 TD, 2.0 JTD
Fiat	Ulysse	2002-2011	2.0 D Multijet
Ford	B-Max	2012-2020	1.0 EcoBoost, 1.4L; 1.5 TDCi
Ford	Galaxy	2006-2015	1.6L, 2.0L, 2.3L; 1.6, 1.8, 2.2 TDCi
Ford	Galaxy	2015-2020	1.5L, 2.0L; 2.0 TDCi
Ford	Maverick	1996-2020	2.0 16V
Ford	Mondeo	2000-2007	1.8L, 2.0L, 2.5L; 2.0, 2.2 TDCi
Ford	S-Max	2006-2014	1.6L, 2.0L, 2.3L, 2.5L; 1.6, 1.8, 2.0 TDCi

Make	Model	Year	Type
Ford	S-Max	2015-2020	1.5L, 2.0L; 2.0 TDCi
Ford	Mondeo	2007-2015	1.6L, 1.8L, 2.0L, 2.3L, 2.5L; 1.6, 1.8, 2.0 TDCi
Honda	HR-V	1999-2006	1.6 16V
Hyundai	Accent	2005-2010	1.4L, 1.6L; 1.5 CRDi
Hyundai	Getz	2002-2005	1.1L, 1.3L, 1.6L
Hyundai	Santa Fe	2001-2006	2.0L, 2.4L; 2.0 CRDi
Kia	Rio	2005-2011	1.1L, 1.3L, 1.6L
Lancia	Phedra	2002-2010	2.0 D Multijet
Mazda	6	2002-2007	1.8L, 2.0L, 2.3L; 2.0 D
Mazda	6	2007-2013	1.8L, 2.0L; 2.0 MZR-CD
Mercedes-Benz	A-Class W169	2004-2012	A 150, 170, 200; A 160, 180, 200 CDI
Mercedes-Benz	A-Class W176	2012-2019	A 180, 200; A 180, 200, 220 CDI
Mercedes-Benz	B-Class W245	2005-2011	B 150, 170, 200; B 180, 200 CDI
Mitsubishi	Pajero/Shogun	2000-2006	3.5 V6 GDI; 2.5 TDI, 3.2 DI-D
Mitsubishi	Pajero/Shogun	2007-2019	3.0 4WD
Nissan	Cube	2007-2020	1.6 16V; 1.5 dCi
Nissan	Micra	2010-2019	1.6L
Nissan	Murano	2003-2008	3.5 4x4
Nissan	Murano	2007-2014	2.5, 3.5 4x4
Nissan	Versa	2013-2019	1.6L
Nissan	Micra	2003-2010	1.0L, 1.2L, 1.4L, 1.6L; 1.5 dCi
Nissan	Micra C+C	2005-2010	1.4 16V, 1.6 160 SR
Opel	Ampera	2011-2015	1.4L
Opel	Astra	1998-2009	G 1.2, 1.4, 1.6, 1.8, 2.2; 1.7 TD, 2.0 D, 2.2 TDI
Opel	Astra	2004-2010	H 1.2, 1.4, 1.6, 1.8, 2.0; 1.3, 1.7, 1.9 CDTi
Opel	Astra	2009-2020	J 1.4L, 1.6L, 2.0L; 1.3, 1.6, 1.7, 2.0 CDTi
Opel	Combo	2012-2020	1.3 CDTi, 1.6 CDTi, 2.0 CDTi
Opel	Corsa	1993-2000	B 1.0, 1.2, 1.4; 1.5 D, 1.7 D
Opel	Corsa	2000-2009	C 1.0, 1.2, 1.4, 1.8; 1.3 CDTi, 1.7 TDi
Opel	Frontera	1998-2002	2.2L, 3.2L; 2.2 TDI
Opel	Insignia	2008-2018	A 1.4L, 1.6L, 1.8L, 2.0L; 1.6, 2.0 CDTi
Opel	Meriva	2003-2010	1.4L, 1.6L, 1.8L; 1.3 CDTi, 1.7 CDTi
Opel	Meriva	2010-2017	1.4L; 1.3 CDTi, 1.6 CDTi, 1.7 CDTi
Opel	Tigra Twintop	2004-2009	1.4L, 1.8L; 1.3 CDTi
Opel	Vectra C	2002-2008	1.6L, 1.8L, 2.2L, 2.8L, 3.2L; 1.9 CDTi, 3.0 CDTi
Opel	Vectra C CC	2002-2008	1.8L, 2.0L, 2.2L; 1.9 CDTi, 3.0 CDTi

Make	Model	Year	Type
Opel	Zafira	1999-2005	A 1.8L, 2.2L; 2.0 DTi
Opel	Zafira B	2005-2015	B 1.6L, 2.0L, 2.2L; 1.7 CDTi, 1.9 CDTi
Peugeot	207	2007-2014	1.4 16V
Peugeot	807	2002-2014	2.0L, 2.2L; 2.0 HDI, 2.2 HDI
Peugeot	5008	2009-2019	1.2L, 1.6L; 1.6 HDI, 2.0 HDI
Peugeot	Expert	1996-2006	1.6L, 1.8L, 2.0L; 1.9 D, 2.0 HDI
Peugeot	Partner Tepee	2009-2019	1.6 HDI
Renault	Clio	1998-2020	MK II 1.2L, 2.0L; 1.5 dCi
Renault	Clio	2005-2020	MK III 1.2L, 1.6L; 1.5 dCi
Renault	Espace	2002-2019	2.0, 3.5 V6; 1.9 dCi, 2.2 dCi, 3.0 dCi
Renault	Laguna	2001-2007	1.6L, 1.8L, 2.0L, 3.0L; 1.9 dCi, 2.2 dCi
Renault	Modus/Grand Mod	2005-2020	1.2L, 1.4L, 1.6L; 1.5 dCi
Renault	Thalia	1998-2020	1.2L, 1.4L, 1.6L; 1.5 dCi
Renault	Twingo	2007-2014	1.2 16V; 1.5 dCi
Renault	Wind	2010-2019	1.2L, 1.6L
Seat	Exeo	2008-2013	1.8 TSI, 2.0 TFSi; 2.0 TDi
Tesla	Model 3	2017-2020	Electric
Toyota	Auris	2006-2012	1.8L 2ZR-FAE
Toyota	Auris	2012-2019	1.3L; 1.4 D-4D
Toyota	Corolla	2006-2012	1.8L 2ZR-FAE
Volvo	C70	1997-2005	2.0L, 2.3L, 2.4L, 2.5L
Volvo	S80	2007-2016	3.2 AWD
Volvo	V60	2010-2020	2.0 T4, D3, D4, T5
Volvo	V70	2000-2007	2.0 T, 2.4 T, 2.5T; 2.4 D
Volvo	V70	2007-2020	2.0 FlexFuel, D3/D4
Volvo	XC60	2008-2020	2.4 D/D3/D4 AWD
Volvo	XC70	2007-2020	3.2 AWD, T5, T6

INTERNAL COIL SPRING COMPRESSOR KIT FOR SPRING DIAMETER 2.95 - 6.10" (Ø75-155MM)

OPERATIONS MANUAL

You are backed by the ARES Tool Performance Assurance!

ARES TOOL warrants this product (excluding carrying cases and storage accessories and the product categories set forth below) to the original purchaser for its useful life (not to exceed one year for products with electrical or electronic components) against defects and deficiencies in material and workmanship.

This **LIMITED LIFETIME WARRANTY** does not cover products which in ARES Tool's judgement have been subject to negligence, misuse, abuse, accident, improper storage, alteration, improper repair, disassembly and/or reassembly. Normal wear and tear are also excluded. Deficient products will be replaced or repaired.

Please call or email at (206) 453-6776 / ares@arestool.com for more details or to receive support.

This warranty excludes blades, bits, bit sockets, carrying cases, pouches, torque products, punches, dies, bulbs, fuses, batteries, and other consumables which must be replaced under normal use and service. These warranties set forth herein are the sole warranties applicable to Products and is in lieu of all other warranties, whether expressed, implied or statutory.

The implied warranties of merchantability and fitness for a particular purpose are specifically excluded.

Customer's sole and exclusive remedy for breach of this Warranty is, at the option of **ARES TOOL**, repair or replacement of the defective product.

Please visit us at WWW.ARESTOOL.COM to register your product and sign up for our ARES Tool Club

B6 MADE IN TAIWAN
HECHO EN TAIWAN
FABRIQUÉ À TAIWAN



WARNING:
Cancer and Reproductive Harm-
www.p65Warnings.ca.gov



ALWAYS WEAR EYE
PROTECTION THAT COMPLIES
WITH ANSI STANDARD

PERFORMANCE ASSURANCE
LIMITED Lifetime Warranty

PLEASE RECYCLE



POR FAVOR RECICLE
VEUILLEZ RECYCLER