

**ARES**

# UNIVERSAL MASTER CYLINDER ADAPTER

(For use with ARES 70921 2L Manual Brake Fluid Bleeder and 18051 / 18053 4L Manual Brake Fluid Bleeder Kits)

## OPERATIONS MANUAL



**1. FEATURES**

**2. SPECIFICATIONS**

**3. WARNINGS**

**4. INSTRUCTIONS**

**5. WARRANTY**



### NEED HELP?

(206) 453-6776

[www.arestool.com](http://www.arestool.com)

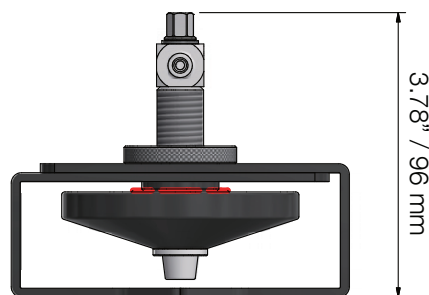
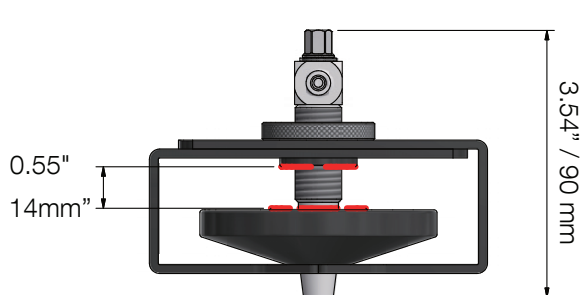
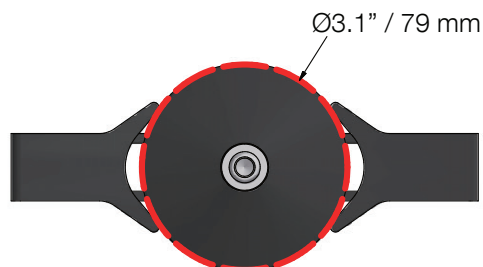
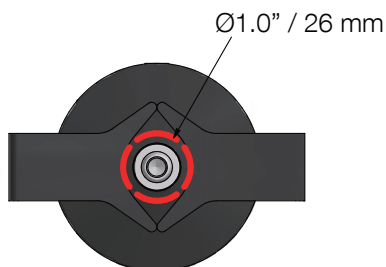
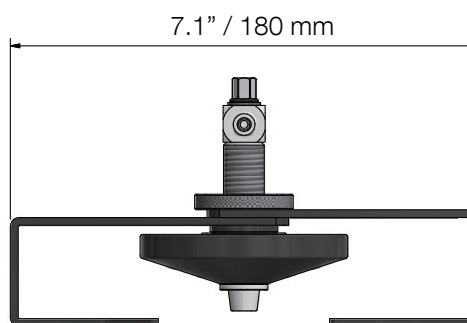
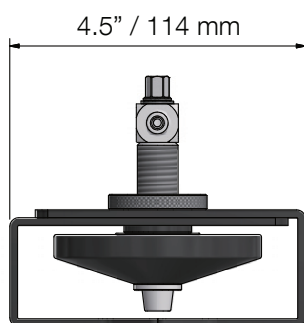
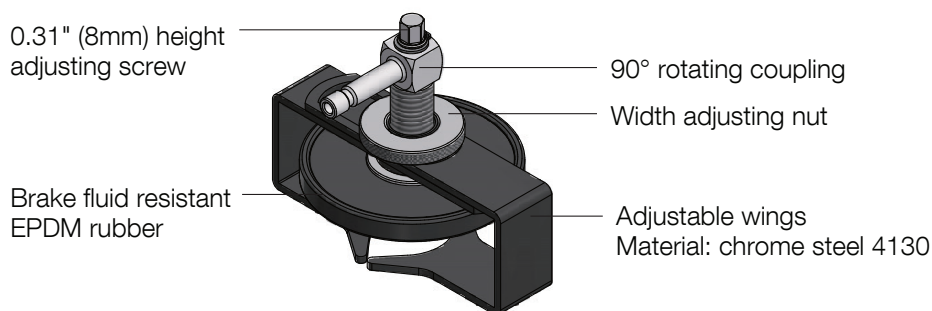
[customerservice@arestool.com](mailto:customerservice@arestool.com)

**Don't forget to register your product!**

## 1. FEATURES

- Brake refilling adapter with a 90° rotating coupling fits almost all vehicles on the market.
- Fits master cylinder fill neck between  $\text{Ø}1.0\text{''}$ - $3.1\text{''}$  / 26-79 mm.
- Maximum pressure up to 50 psi / 3.5 bar.

## 2. SPECIFICATIONS



### 3. WARNINGS!



**CAUTION**



- Always read the instructions carefully before using the tool.
- Ensure the working area has adequate lighting.
- Keep children and unauthorized persons away from the working area.
- Clean all dirt from around the cover of the master cylinder before removing.
- DO NOT allow untrained persons to use this tool.
- Always wear eye protection that meets OSHA and ANSI Z87.1 standards.
- Always wear gloves when working with the tool.
- Always wear ear protection.
- Disposal: Customers should follow local regulations to handle used/waste parts.
- Brake fluid is hazardous. Read and follow fluid manufacturer's warnings.
- Brake fluid is corrosive and may damage automobile paint or other surfaces. If fluid spills, flush with water immediately.

### 4. INSTRUCTIONS



1. Unscrew the width adjusting nut to adjust the opening of the wings (Fig 1).
2. Fit the adapter on the master cylinder reservoir and loosely fit the wings on the filler neck (Fig 2).
3. Adjust the height by adjusting the screw and fix the adapter securely by turning the round nut until a complete seal is formed (Fig 3).
4. Make sure the adapter is securely connected on the master cylinder filler neck before connecting the adapter to brake service equipment (Fig 4).

# UNIVERSAL MASTER CYLINDER ADAPTER

(For use with ARES 70921 2L Manual Brake Fluid Bleeder and 18051 / 18053 4L Manual Brake Fluid Bleeder Kits)

## WARRANTY

**You are backed by the ARES Tool Performance Assurance!**

**ARES TOOL** warrants this product (excluding carrying cases and storage accessories and the product categories set forth below) to the original purchaser for its useful life (not to exceed one year for products with electrical or electronic components) against defects and deficiencies in material and workmanship.

This **LIMITED LIFETIME WARRANTY** does not cover products which in ARES Tool's judgement have been subject to negligence, misuse, abuse, accident, improper storage, alteration, improper repair, disassembly and/or reassembly. Normal wear and tear are also excluded. Deficient products will be replaced or repaired.

Please call or email at (206) 453-6776 / ares@arestool.com for more details or to receive support.

This warranty excludes blades, bits, bit sockets, carrying cases, pouches, torque products, punches, dies, bulbs, fuses, batteries, and other consumables which must be replaced under normal use and service. These warranties set forth herein are the sole warranties applicable to Products and is in lieu of all other warranties, whether expressed, implied or statutory.

The implied warranties of merchantability and fitness for a particular purpose are specifically excluded. Customer's sole and exclusive remedy for breach of this Warranty is, at the option of **ARES TOOL**, repair or replacement of the defective product.

Please visit us at [WWW.ARESTOOL.COM](http://WWW.ARESTOOL.COM) to register your product and sign up for our ARES Tool Club

B6 MADE IN TAIWAN  
HECHO EN TAIWAN  
FABRIQUÉ À TAIWAN



**WARNING:**  
Cancer and Reproductive Harm-  
[www.p65Warnings.ca.gov](http://www.p65Warnings.ca.gov)



ALWAYS WEAR EYE  
PROTECTION THAT COMPLIES  
WITH ANSI STANDARD



PLEASE RECYCLE



POUR FAVOR RECYCLE  
VEUILLEZ RECYCLER