

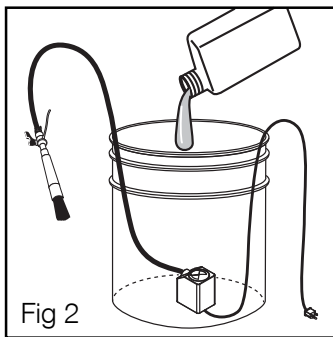
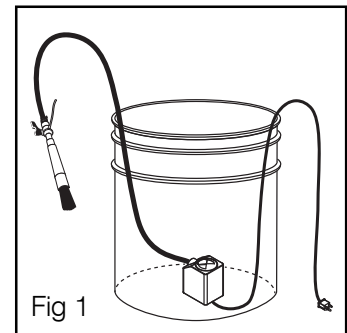


# 5 GALLON PORTABLE PARTS WASHER (WITH FLOW CONTROL VALVE)

## OPERATIONS MANUAL

1. Place pump securely in bucket with right side up. The suction end of the pump should not be obstructed. Make sure power cord is not crimped, cut, or has exposed electrical wires. Run plug end away from bucket.

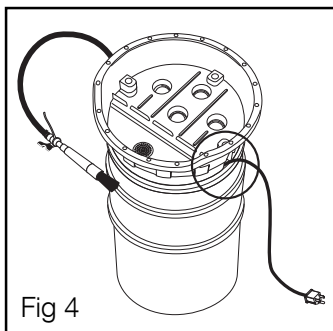
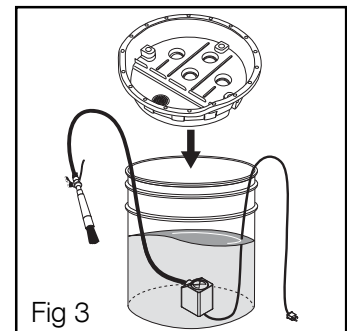
**IMPORTANT:** Make sure that the wash basin fits securely into intended bucket (not included).



2. Add non-solvent cleaning detergent into the bucket.

**WARNING:** Do not use solvent-based cleaners, gasoline, etc.

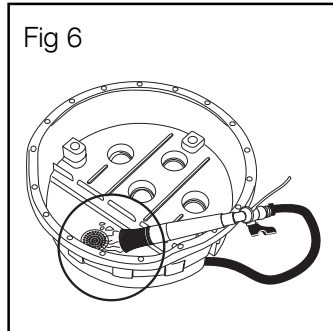
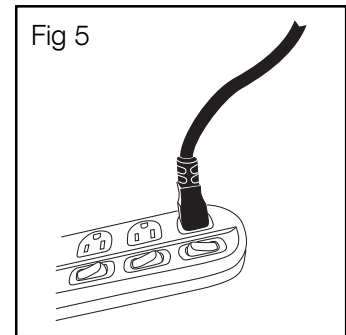
3. Making sure that the power cord and flow-through hose are free from obstructions and lined up with the proper slots in the wash basin, fit basin into the top of the wash bucket.



4. Situate the flow-through hose and power cord into the proper slots lined up with wash basin as shown. Make sure that the full length of the power cord is pulled out such that the pump sits flush on the bottom of the bucket, and the full length of the power cord is accessible.

5. **WARNING:** Position wash basin and bucket as far from power source as possible.

**CAUTION:** Make sure that the flow-through brush is positioned to dispense fluid inside the basin before plugging into power source. Pump powers on as soon as plugged in. Proceed to plug power cord into outlet.



6. Wash basin is ready for use.

**CAUTION:** Flow-through brush is equipped with flow-control valve to control the flow of solution and / or temporary shut-off.

**WARNING:** Do NOT use flow-control valve for long term or permanent shut-off. If shut-off is intended to exceed longer than 2 minutes, unplug unit from power source.

## WARRANTY

### You are backed by the ARES Tool Performance Assurance!

**ARES TOOL** warrants this product to be free from defects and deficiencies in materials and workmanship under normal use and service. A defective product may be returned for a free replacement within **1 Year** from the date of purchase, provided that product is returned immediately after discovery of defect. This warranty shall be valid only when proof of purchase (receipt) showing the date of purchase accompanies the defective product.

#### Exclusions:

This warranty excludes blades, bits, bit sockets, carrying cases, pouches, torque products, punches, dies, bulbs, fuses, batteries, and other consumables which must be replaced under normal use and service. This WARRANTY does not cover products which in ARES Tool's judgement have been subject to negligence, misuse, abuse, improper storage, alteration, accident, improper repair, disassembly and/or reassembly. Normal wear and tear are also excluded. Please call or email at (206) 453-6776 / ares@arestool.com for more details or to receive support.

These warranties set forth herein are the sole warranties applicable to Products and is in lieu of all other warranties, whether expressed, implied or statutory. The implied warranties of merchantability and fitness for a particular purpose are specifically excluded.

Customer's sole and exclusive remedy for breach of this Warranty is, at the option of ARES TOOL, repair or replacement of the defective product.

Please visit us at [WWW.ARESTOOL.COM](http://WWW.ARESTOOL.COM) to register your product and sign up for our ARES Tool Club

**B22 MADE IN TAIWAN**  
**HECHO EN TAIWAN**  
**FABRIQUÉ À TAIWAN**



**WARNING:**  
Cancer and Reproductive Harm-  
[www.p65Warnings.ca.gov](http://www.p65Warnings.ca.gov)



**ALWAYS WEAR EYE**  
**PROTECTION THAT COMPLIES**  
**WITH ANSI STANDARD**

**PERFORMANCE ASSURANCE**  
**1 YEAR**  
**Warranty**

PLEASE RECYCLE



POUR FAVOR RECYCLE  
VEUILLEZ RECYCLER